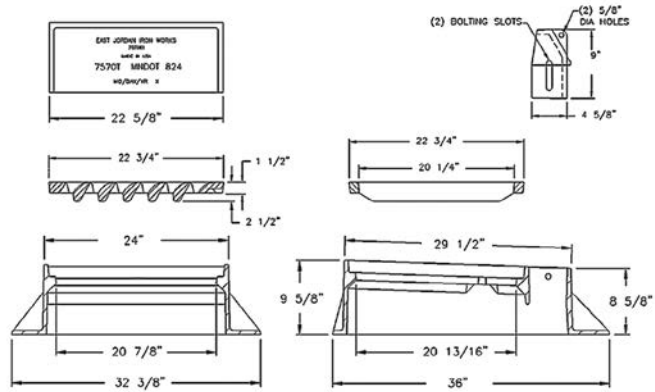


### 7570 CATCH BASIN CURB INLET

Heavy duty  
 Type M1 grate  
 Approximate 190 sq. in. open area



### 7571 CATCH BASIN CURB INLET

Heavy duty  
 Approximate 190 sq. in. open area  
 Uses 7570 grates

Options  
 Frame with cut-off front flange  
 Frame with 36" dia. full flange and cut flange

